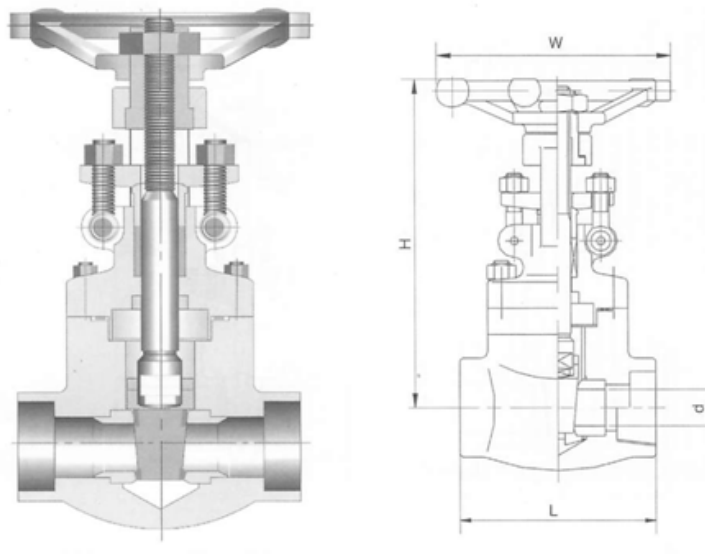


FORGE STEEL IN NPT & SW ENDS API 602 GATE VALVES

DIMENSIONS AND WEIGHTS (mm)



ASME / ANSI Pressure Class 150, 300, 600, 800 Lb

Size		mm		L(mm)	W(mm)	H Open(mm)	WT(kg)	
RB	FB	RB	FB				RB	FB
1/4		8		79	100	166	2.2	
3/8	1/4	10	8	79	100	166	2.2	2.2
1/2	3/8	15	10	79	100	166	2.2	2.2
3/4	1/2	20	15	92	100	169	2.2	2.2
1	3/4	25	20	111	125	193	4.7	4.3
1 ^{1/4}	1	32	25	120	160	236	5.9	5.9
1 ^{1/2}	1 ^{1/4}	40	32	120	160	246	6.9	6.9
2	1 ^{1/2}	50	40	140	180	283	11.1	11.1
	2		50	178	200	330		15.2

ASME / ANSI Pressure Class 900, 1500 Lb

Size		Class	L(mm)	W(mm)	H Open(mm)	WT(kg)	
inch	mm					B.B	W.B
1/4	8	900	79	100	166	2.2	-
		1500	111	125	197	4.6	4.7
3/8	10	900	79	100	166	2.2	-
		1500	111	125	197	4.3	4.4
1/2	15	900	92	100	169	2.2	-
		1500	111	125	197	4.2	4.3
3/4	20	900	111	125	193	4.3	-
		1500	111	125	197	4.0	4.2
1	25	900	120	160	230	5.9	-
		1500	120	160	218	6.3	6.6
1 ^{1/4}	32	900	120	160	246	6.9	-
		1500	120	160	237	8.7	8.8
1 ^{1/2}	40	900	140	180	283	11.1	-
		1500	140	180	274	12.1	12.5
2	50	900	178	200	330	15.2	-
		1500	178	200	320	17.2	17.2

PRESSURE TEST

CLASS(Lb)	BACK SEAT TEST (MPa)	SHELL TEST (MPa)	HIGH PRESSURE SEAL TEST (MPa)	LOW PRESSURE SEAL TEST (MPa)
150	3.0	2.2	2.2	0.6
300	7.5	5.5	5.5	0.6
600	15.0	11.0	11.0	0.6
900	22.5	16.5	16.5	0.6
1500	37.5	27.5	27.5	0.6
2500	63.0	46.2	46.2	0.6

MAIN VALVE PART MATERIAL

PART	CARBON STEEL		ALLOY STEEL			STAINLESS STEEL				
	A216 WCB	A352 LCB	A217 WC6	A217 WC9	A217 C5	A351 CF8	A351 CF8M	A351 CF3	A351 CF3M	CD4MCU
BODY	A216 WCB	A352 LCB	A217 WC6	A217 WC9	A217 C5	A351 CF8	A351 CF8M	A351 CF3	A351 CF3M	CD4MCU
BONNET	A216 WCB	A352 LCB	A217 WC6	A217 WC9	A217 C5	A351 CF8	A351 CF8M	A351 CF3	A351 CF3M	CD4MCU
STEM	A182 F6a	A182 F304	A182 F304	A182 F304	A182 F304	A182 F304	A182 F316	A182 F304L	A182 F316L	F51
STUD	A193 B7	A320 L7	A193 B16	A193 B16	A193 B8	A193 B8	A193 B8M	A193 B8	A193 B8M	A193 B8M
NUT	A194 2H	A194 4	A194 4	A194 4	A194 8	A194 8	A194 8M	A194 8	A194 8M	A194 8M
YOKE	A216 WCB	A352 LCB	A217 WC6	A217 WC9	A217 C5	A351 CF8	A351 CF8M	A351 CF3	A351 CF3M	CD4MCU
BACK SEAT	A182 F6a	A182 F304	A182 F304	A182 F304	A182 F304	A182 F304	A182 F316	A182 F304L	A182 F316L	F51
PACKING BUSHING	A276 410	A276 304	A276 304	A276 304	A276 304	A276 304	A276 316	A276 304	A276 316	F51
PACKING PLATE	A216 WCB	A352 LCB	A217 WC6	A217 WC9	A217 C5	A351 CF8	A351 CF8M	A351 CF3	A351 CF3M	CD4MCU

NOTE

1. All of valve part materials comply with ASTM standard.
2. Above material is our normal one. If client has special requirement for it, we can choose material as per detailed site condition.

SHANGHAI ENINE PUMP & VALVE CO., LTD.

China-leading manufacturer of valves

www.enine.sh.cn

TEL: +86(021) 5291 4777 / 3203 0517

FAX: +86(021) 5290 0333

Factory : 318 Xiangle Road, No. Nanxiang Town Jiading Shanghai 201802,China

Sales Division : Zone E No.1957 Jiaotong Road, Shanghai 200065, China

E-mail: sales@enine.sh.cn