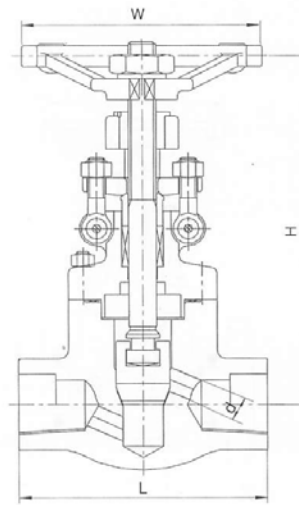
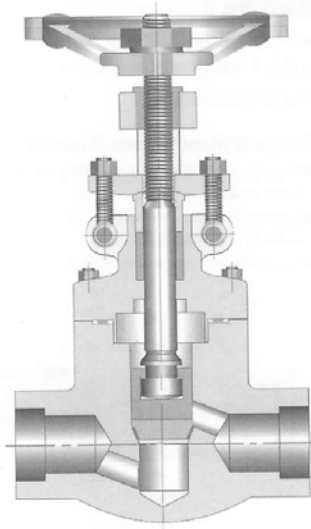


FORGE STEEL NPT & SW ENDS API 602 GLOBE VALVES

DIMENSIONS AND WEIGHTS (mm)

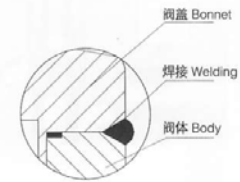


设计制造标准

- 设计制造按API602、ASME B16.34
- 连接尺寸按ASME B1.20.1、ASME B16.11
- 检验和测试按API598

Design & Manufacture standard

- Design manufacture as per API602, ASME B16.34
- Connection ends dimension as per ASME B1.20.1, ASME B16.11
- Inspection and test as per API598



ASME / ANSI Pressure Class 150, 300, 600, 800 Lb

Size		mm		L (mm)	W (mm)	H open (mm)	WT(kg)	
RB	FB	RB	FB				RB	FB
1/4		8		79	100	153	1.9	
3/8	1/4	10	8	79	100	153	1.9	2.1
1/2	3/8	15	10	79	100	158	1.9	2.1
3/4	1/2	20	15	92	100	192	2.1	2.3
1	3/4	25	20	111	125	252	3.3	3.6
1 ^{1/4}	1	32	25	120	160	252	7.5	7.8
1 ^{1/2}	1 ^{1/4}	40	32	152	160	289	7.5	8.2
2	1 ^{1/2}	50	40	172	180	330	11.4	12.0
	2		50	200	240	370		15.0

ASME / ANSI Pressure Class 900Lb, 1500 Lb

Size		mm		L (mm)	W (mm)	H open (mm)	WT(kg)	
RB	FB	RB	FB				RB	FB
1/4		8		111	100	207	2.0	
3/8	1/4	10	8	111	100	207	2.2	2.0
1/2	3/8	15	10	111	100	207	2.4	2.2
3/4	1/2	20	15	111	100	207	3.8	2.4
1	3/4	25	20	130	125	240	4.2	3.8
1 ^{1/4}	1	32	25	152	160	258	8.0	4.2
1 ^{1/2}	1 ^{1/4}	40	32	172	160	290	13.2	8.0
2	1 ^{1/2}	50	40	220	180	337	16.8	13.2
	2		50	235	200	354		16.8

PRESSURE TEST

Class (Lb)	Back seat test (MPa)	Shell test (MPa)	High pressure seal test (MPa)	Low pressure seal test (MPa)
150	3.0	2.2	2.2	0.6
300	7.5	5.5	5.5	0.6
600	15.0	11.0	11.0	0.6
900	22.5	16.5	16.5	0.6
1500	37.5	27.5	27.5	0.6

MAIN VALVE PART MATERIAL

Part name	Carbon steel		Alloy steel			Stainless steel				
Body	A216 WCB	A352 LCB	A217 WC6	A217 WC9	A217C5	A351 CF8	A351 CF8M	A351 CF3	A351 CF3M	CD4MCU
Bonnet	A216 WCB	A352 LCB	A217 WC6	A217 WC9	A217C5	A351 CF8	A351 CF8M	A351 CF3	A351 CF3M	CD4MCU
Stem	A182 F6a	A182 F304	A182 F304	A182 F304	A182 F304	A182 F304	A182 F316	A182 F304L	A182 F316L	F51
Stud	A193 B7	A320 L7	A193 B16	A193 B16	A193 B8	A193 B8	A193 B8M	A193 B8	A193 B8M	A193 B8M
Nut	A194 2H	A194 4	A194 4	A194 4	A194 8	A194 8	A194 8M	A194 8	A194 8M	A194 8M
Back seat	A182 F6a j	A182 F304	A182 F304	A182 F304	A182 F304	A182 F304	A182 F316	A182 F304L	A182 F316L	F51
Packing bushing	A276 410	A276 304	A276 304	A276 304	A276 304	A276 304	A276 316	A276 304	A276 316	F51
Packing plate	A216 WCB	A352 LCB	A217 WC6	A217 WC9	A217C5	A351 CF8	A351 CF8M	A351 CF3	A351 CF3M	CD4MCU

NOTE

1. All of valve part materials comply with ASTM standard.
2. Above material is our normal one. If client has special requirement for it, we can choose material as per detailed site condition.

SHANGHAI ENINE PUMP & VALVE CO., LTD.

China-leading manufacturer of valves

www.enine.sh.cn

TEL: +86(021) 5291 4777 / 3203 0517

FAX: +86(021) 5290 0333

Factory : 318 Xiangle Road, No. Nanxiang Town Jiading Shanghai 201802,China

Sales Division : Zone E No.1957 Jiaotong Road, Shanghai 200065, China

E-mail: sales@enine.sh.cn